

RADIOEM 104

RADIO CONTROL TRANSMITTER
ROLLING CODE

STANDARD FEATURES

- 4-button transmitter.
- Operates up to 4 doors.
- Easy pairing and programming with the operator's on-board radio receiver for hassle-free use.
- Open/Close function.
- LED indicator.
- Nema 1 enclosure.
- Approx. 100' range.
- Hand held or visor mount.
- Sun visor clip included.
- Retrofits with existing Manaras-Opera rolling code transmitters and receivers. No need to change other devices.
- Compatible with most commercial operator brands on the market (in conjunction with RADIORE901).
- FCC/Industry Canada RF Device Approval.

OPTIONS (SEE REVERSE)

- The Series «100» line has been designed for new installations yet is also compatible and can retrofit with any older generation Series «100» Manaras-Opera rolling code radio controls.



- **Featuring Innovative Rolling Code Technology**
- **Improved Product Quality, Reliability and Durability**
- **Superior Signal Range**
- **Small Ergonomic Design**
- **Simplified Pairing and Programming**

The new RADIOEM 104 features the latest rolling code technology, improved reliability and superior range.

Users have the versatility of controlling 1 to 4 doors with single-button open / close functionality providing easy access to any commercial or industrial building.

RADIOEM 104 conveniently retrofits and is compatible with any older generation Manaras-Opera rolling code (Series «100») transmitter or receiver.



Product Specification Sheet

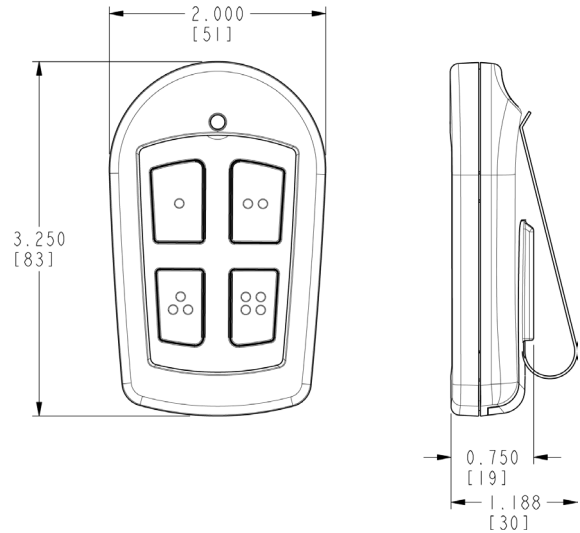
RADIOEM 104

RADIO CONTROL TRANSMITTER
ROLLING CODE

TECHNICAL SPECIFICATIONS

Installation:	Hand Held or Visor Mount
Technology:	Rolling Code Technology
No. of Buttons:	4-Button
Configuration when used with ECB operators:	Operates 1 to 4 doors, single-button. Traditional Commercial Sequence (Open/Close) or Alternating Sequence (SBC) Open/Close/Stop Functionality
Configuration when used with HW operators:	Open/Close Functionality (When paired with Universal Receiver RADIORE901, RADIORE901A, RADIORE901B)
Housing Materials:	ABS
Protection Class:	Nema 1
Range:	Approx. 100 ft. (30 m)
Power Supply:	CR2032 (3V Battery)
Frequency:	900 MHz
Color:	Dark Grey
Compatible with:	Rolling Code: RADIOEM101, RADIOEM102, RADIOEM103SD, RADIOEM103MD, RADIOEM144, KEYLESS042, RADIORE102, RADIORE901, RADIORE901A, RADIORE901B

DIMENSIONS



The Series «100» rolling code transmitters/receivers are not compatible with dip switch technology.

OTHER PRODUCTS IN THE SERIES «100»

